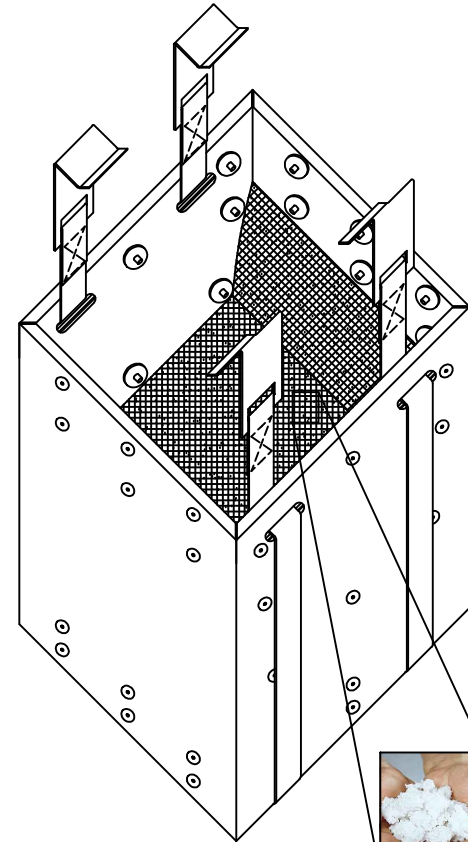
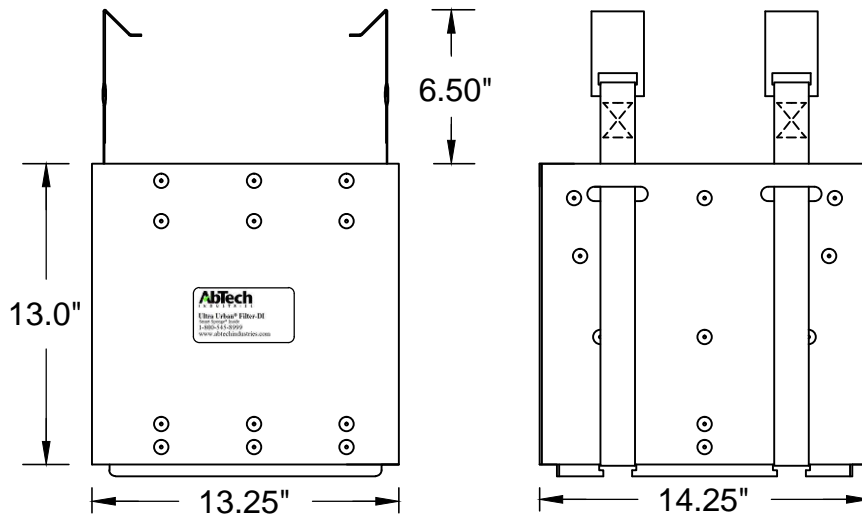


NOTES


The following information relates to the product shown:

1. 80% total suspended solids (TSS) removal
2. 80% oil / grease removal
3. 190 gallons per minute (GPM) filtration rate before the built-in bypass
4. Ultra Urban Filter Drop-In (DI) will be attached to a custom collar based on catch basin specifications. Collar purchased separately.
5. DI1414H contains 10 lbs (+/- 10%) of Smart Sponge® media



Smart Sponge®
media



PROJECT NAME:	PROJECT CONTACT ENGINEER:	PROJECT ENGINEER:	 <p>These drawings are the property of Abtech Industries, Inc. Drawings may not be printed, reproduced or used without the prior written consent of Abtech Industries, Inc.</p>
LOCATION:	CONTACT:	PROJECT ENGINEER:	
ULTRA URBAN DROP-IN (DI) SMART SPONGE® FILTER DI1414H	SITE MANAGER:	SCALE (FULL SCALE): 1.5 inches : 12 inches	PROJECT NO.:
		PROJECT ENGINEER:	Ultra Urban Drop-In (DI) Smart Sponge® Filter - DI1414H
		DRAWN BY: APB	SHEET NUMBER:
		DESIGNED BY:	1
		CHECKED BY:	
		ISSUE DATE: 01/17/2017	