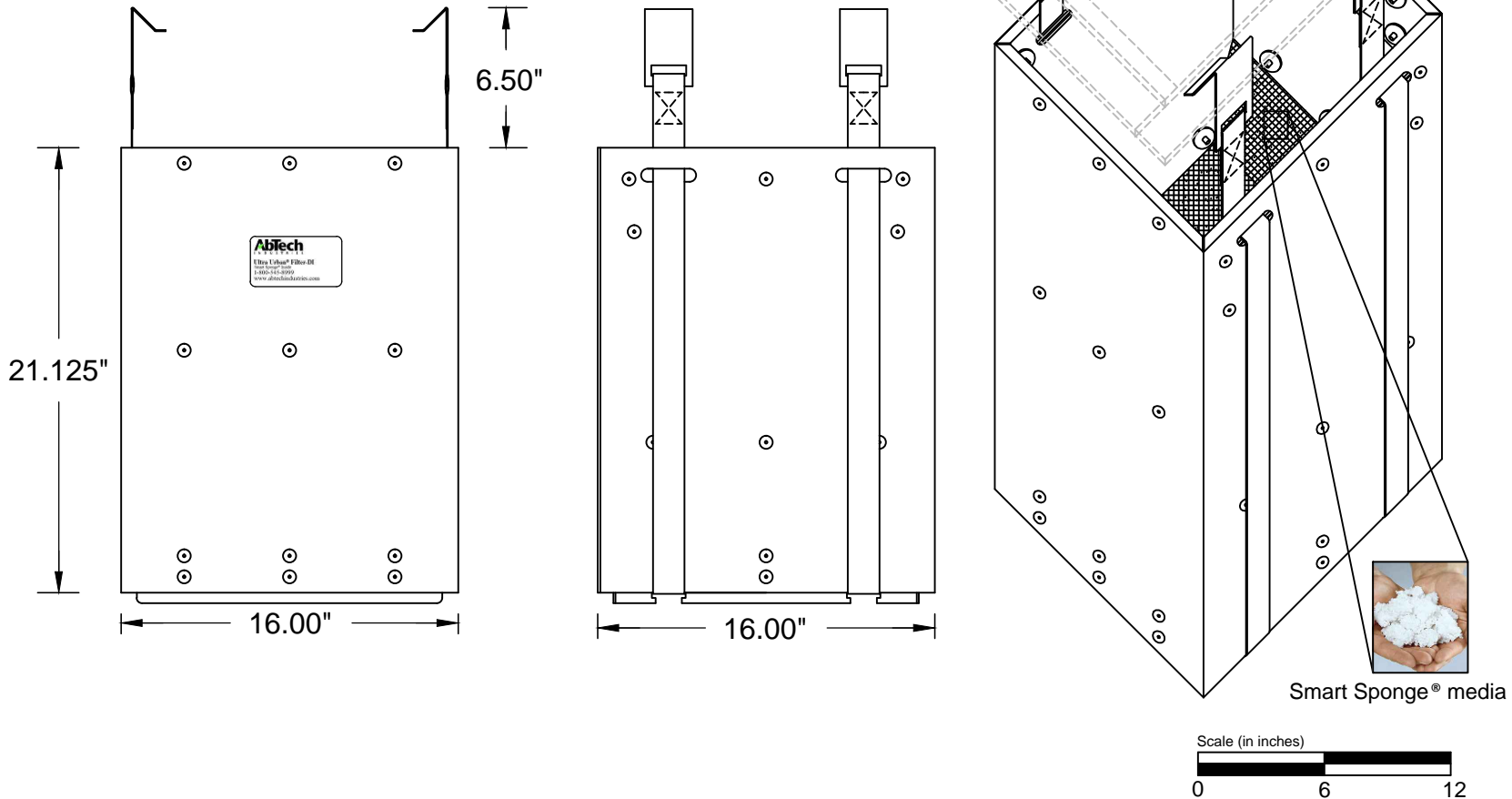


**NOTES**

The following information relates to the product shown:

1. 80% total suspended solids (TSS) removal
2. 80% oil / grease removal
3. 240 gallons per minute (GPM) filtration rate before the built-in bypass
4. Ultra Urban Filter Drop-In (DI) will be attached to a custom collar based on catch basin specifications. Collar purchased separately.
5. DI1616N contains 20 lbs (+/- 10%) of Smart Sponge® media



PROJECT NAME:	PROJECT CONTACT ENGINEER:	SCALE (FULL SCALE): 1.5 inches : 12 inches
LOCATION:	CONTACT:	PROJECT ENGINEER:
ULTRA URBAN DROP-IN (DI) SMART SPONGE® FILTER DI1616N	SITE MANAGER:	DRAWN BY: APB
		DESIGNED BY:
		CHECKED BY:
		ISSUE DATE: 01/18/2017
		PROJECT NO.:
		SHEET TITLE:
		Ultra Urban Drop-In (DI) Smart Sponge® Filter - DI1616N
		SHEET NUMBER:
		1



These drawings are the property of Abtech Industries, Inc. Drawings may not be printed, reproduced or used without the prior written consent of Abtech Industries, Inc.