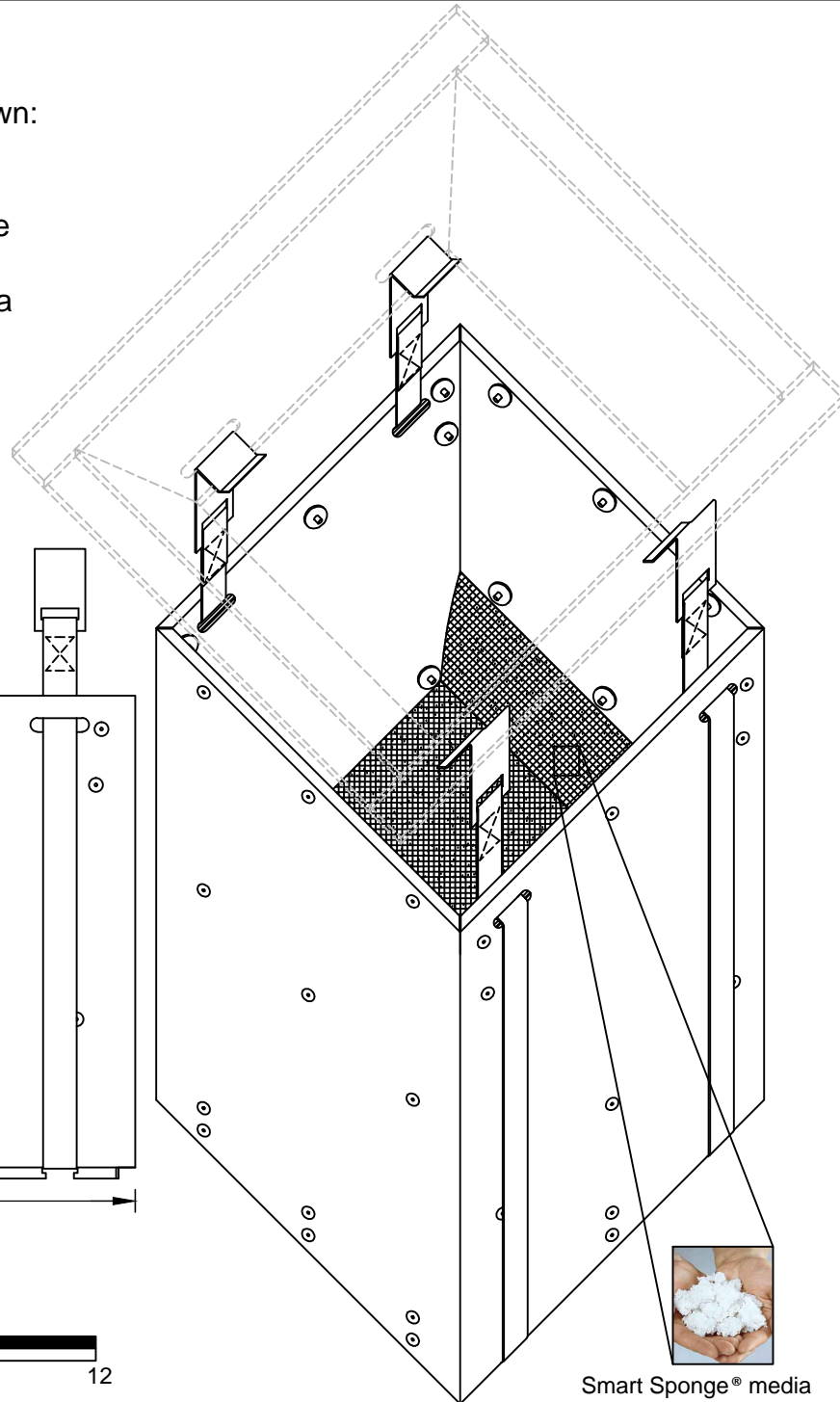
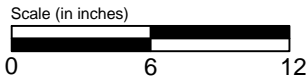
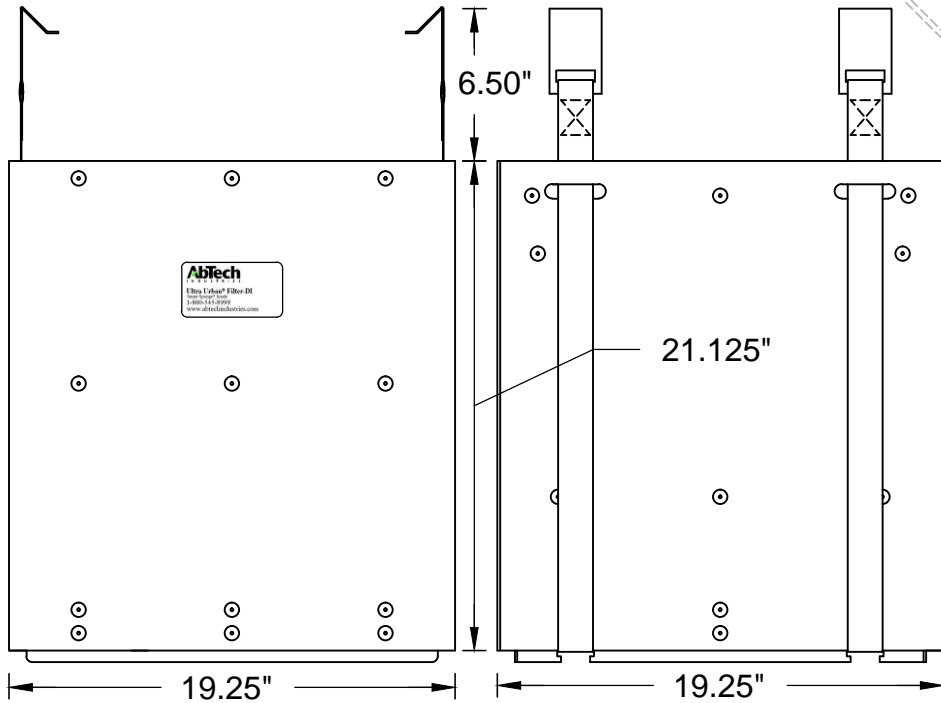



NOTES

The following information relates to the product shown:

1. 80% total suspended solids (TSS) removal
2. 80% oil / grease removal
3. 500 gallons per minute (GPM) filtration rate before the built-in bypass
4. Ultra Urban Filter Drop-In (DI) will be attached to a custom collar based on catch basin specifications. Collar purchased separately.
5. DI2020N contains 28 lbs (+/- 10%) of Smart Sponge® media



Smart Sponge® media

PROJECT NAME:	LOCATION:	ULTRA URBAN DROP-IN (DI) SMART SPONGE® FILTER DI2020N
PROJECT CONTACT ENGINEER:	CONTACT:	SITE MANAGER:
 <p>These drawings are the property of Abtech Industries, Inc. Drawings may not be printed, reproduced or used without the prior written consent of Abtech Industries, Inc.</p>		
SCALE (FULL SCALE): 1.5 inches : 12 inches		
PROJECT ENGINEER:		
DRAWN BY: APB		
DESIGNED BY:		
CHECKED BY:		
ISSUE DATE: 01/18/2017		
PROJECT NO:		
SHEET TITLE: Ultra Urban Drop-In (DI) Smart Sponge® Filter - DI2020N		
SHEET NUMBER: 1		